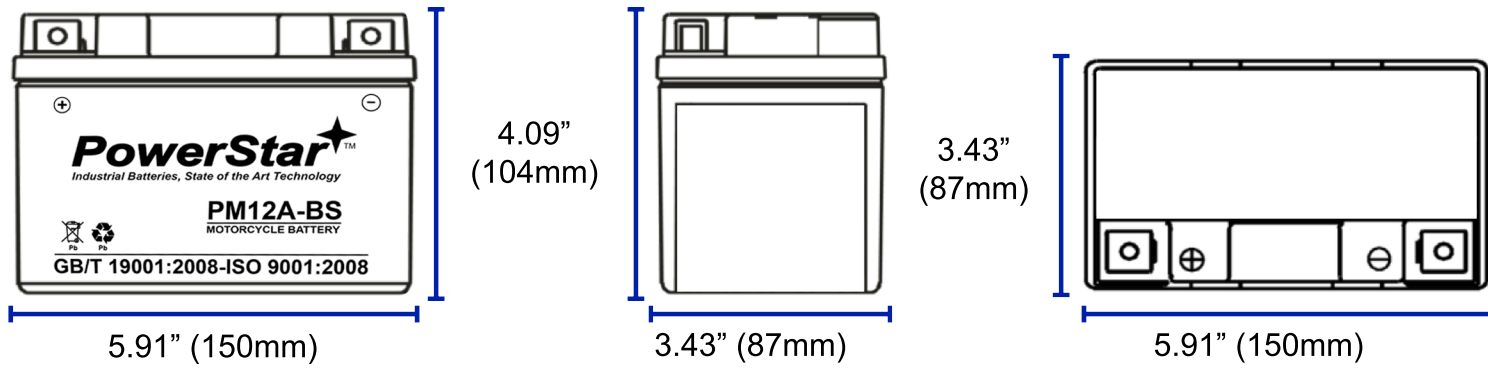


PM12A-BS Specifications

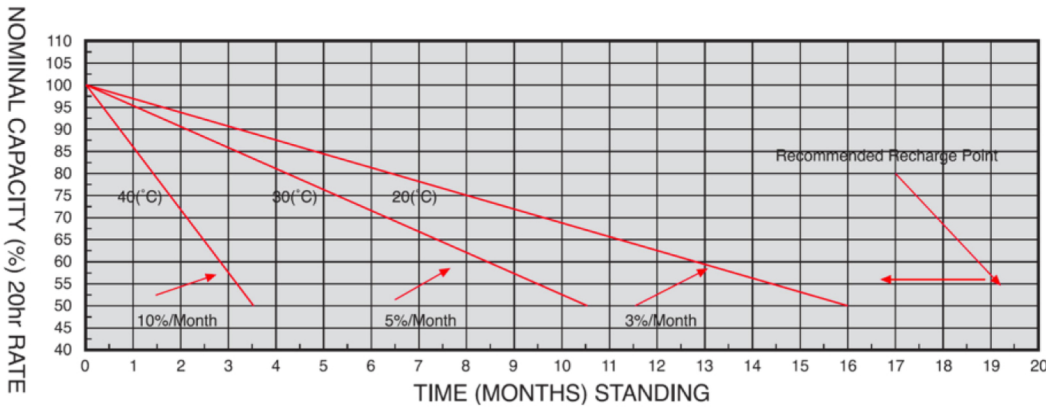
Nominal Voltage=	12 V
Nominal Capacity(@10HR)=	10 Ah
Dimensions=	Length= 150 mm (5.91")
	Width= 87 mm (3.43")
	Height= 104 mm (4.09")
Weight=	3.49 kg (7.69lbs)
Terminal Type=	Nut & Bolt
Container Material=	ABS
Polarity=	[+ -]
Charge Current=	1 Amp
Acid Volume=	672 g
Cold Cranking Amps (@-18°C)=	175 CCA



DIMENSIONS

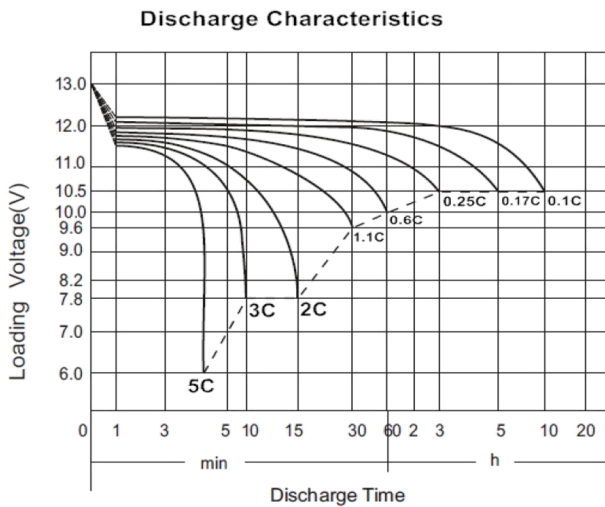


SELF DISCHARGE AND CAPACITY OF AGM BATTERIES



CAPACITY	VOLTAGE
100%	V > 13.0V
90%	12.80 < V < 13.00
80%	12.65 < V < 12.80
70%	12.50 < V < 12.65
60%	12.35 < V < 12.50
50%	12.20 < V < 12.35
40%	12.05 < V < 12.20
30%	11.90 < V < 12.05
20%	11.75 < V < 11.90
10%	11.60 < V < 11.75

DISCHARGE CHARACTERISTICS



CHARGING METHODS

CHARGING METHODS	
Full Charge	Constant-Voltage Charge: Initial charging current: less than 0.3C Voltage: 14.40 V ~ 15.00 V at 25°C (77 °F) Charging time: 15 ~ 18h
	Constant-Current Charge: Charging current: 0.1C, when charging voltage up to 14.40V, continue to charge 4h
Floating Charge	No limit on Initial charging current Voltage: 13.50 V ~ 13.80 V at 25°C (77 °F)

