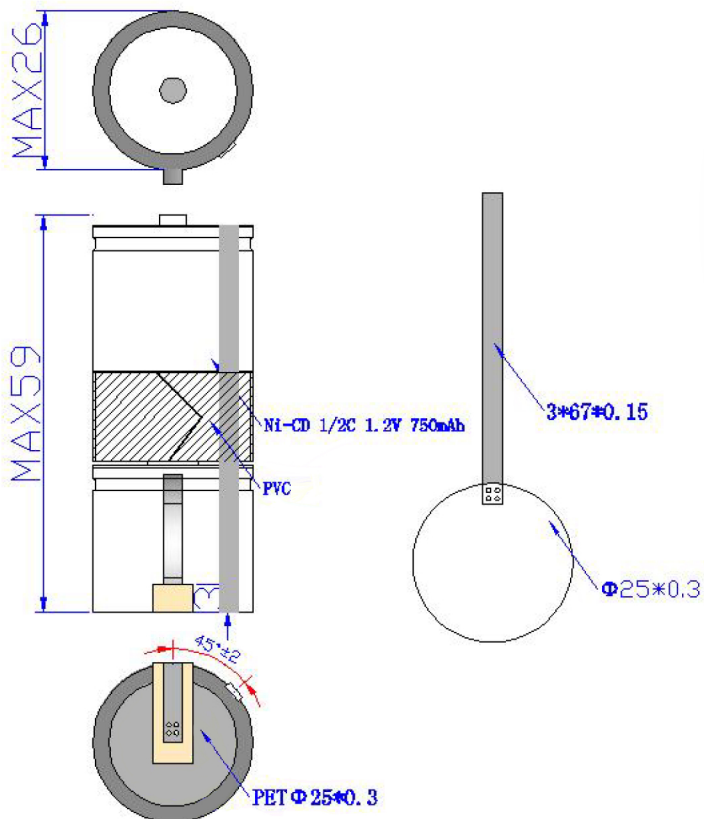


Physical Dimensions

Width (Diameter)	1.02" (26 mm)
Length	2.32" (59 mm)

**BATTERY MODEL: 72000
(2.5V 800mAh)**



Applications

- Medical Battery
- Laryngoscopes
- Otoscopes
- Ophthalmoscopes
- ...and more!

DESCRIPTION

SPECIFICATION

CONDITIONS

DESCRIPTION		SPECIFICATION	CONDITIONS
Electrical Characteristics	Nominal Voltage	2.5V	
	Nominal Capacity	800mAh	Standard Discharge
	Minimum Capacity	750mAh	Standard Discharge
	Standard Discharge	150mA (0.2C)	Standard Discharge
	Discharge Cut-Off Voltage	2.0V	
Charging	Standard Charge	75mA (0.1C)	Ta= -10°C ~ 55°C
		14-16 Hours	
	Fast Charge	375mA (0.5C) Approx. 2.4 Hours	Timer Cut-Off= 110% Input Capacity Ta= -10°C ~ 55°C
Trickle Charge	0.03C~0.05C	Ta= -10°C ~ 55°C	
Storage	Storage Temperature	-20°C ~ 30°C (Within 1 year)	Discharged State Humidity: Max. 85%
		-20°C ~ 40°C (Within 6 months)	
		-20°C ~ 50°C (Within 1 month)	
		-20°C ~ 60°C (Within 1 week)	